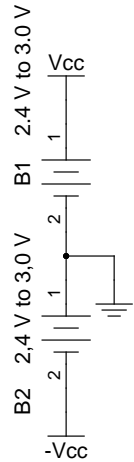
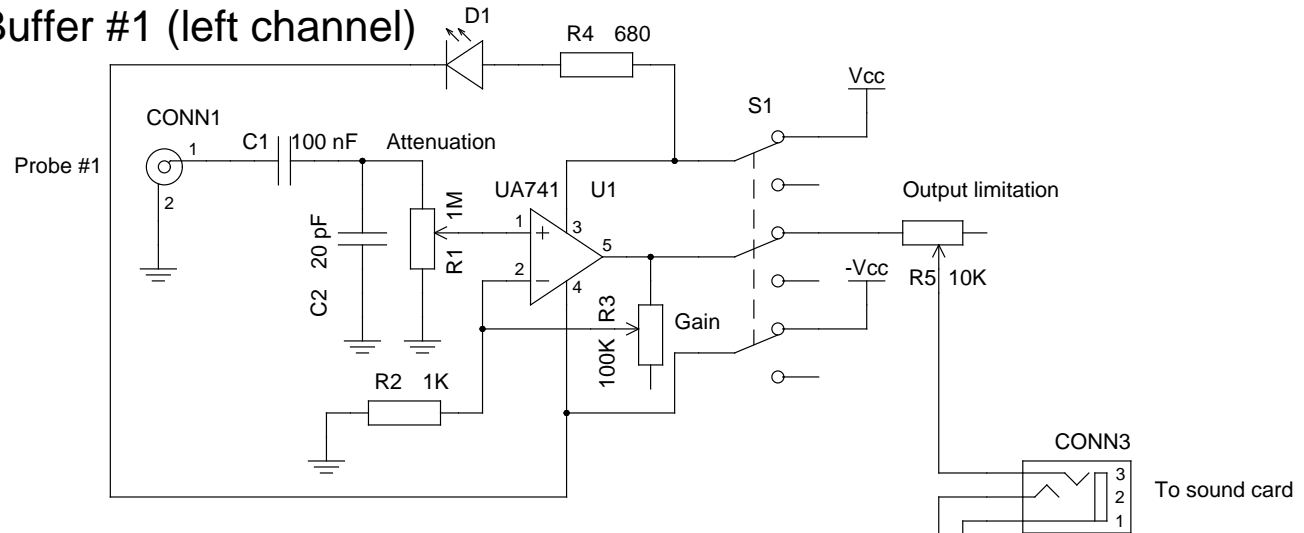


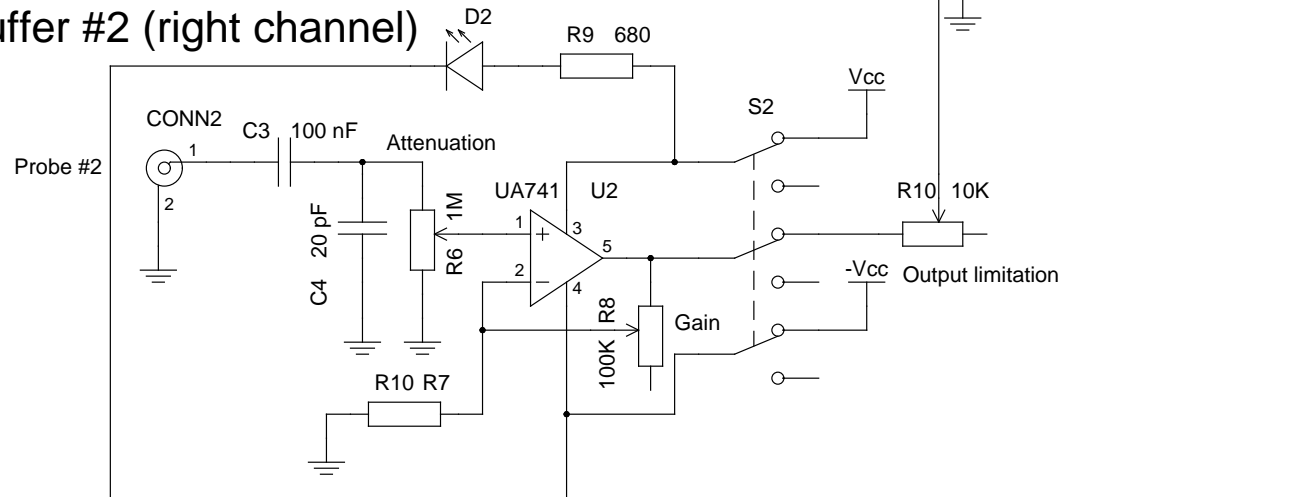
Batteries



Buffer #1 (left channel)



Buffer #2 (right channel)



Note: use something better than the UA741 if available.

TITLE Oscilloscope probe buffer for computer sound card

FILE: buffer.sch

REVISION: 1

PAGE 1

OF 1

DRAWN BY: Sergio García-Cuevas González