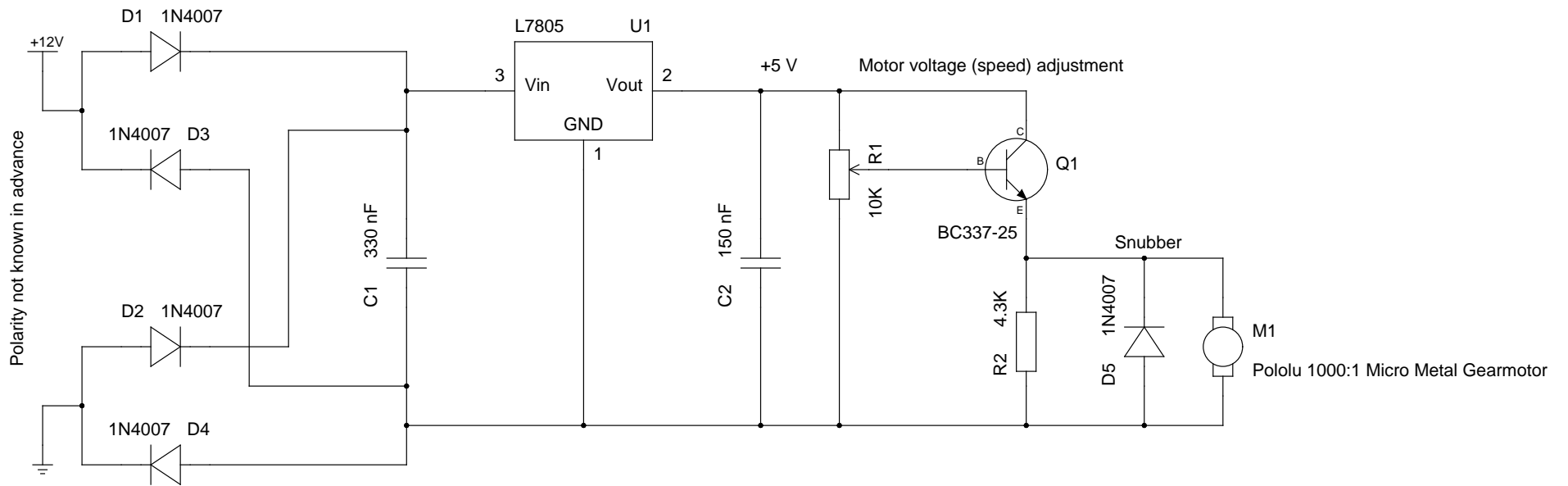


Rectifier bridge for supply polarity independence

Linear regulator



TITLE Motor power supply and speed adjustment circuit

FILE: motor.sch

REVISION: 2

PAGE 1 OF 1

DRAWN BY: Sergio García-Cuevas González